

THE SINGAPORE KENNEL CLUB

AGILITY AND JUMPER TRIALS REGULATIONS



WITH EFFECT FROM : JANUARY 1, 2017
REVISED & APPROVED BY GOVERNING COUNCIL : JANUARY 1, 2020

CONTENTS

A. APPLICATION.....	2
B. ELIGIBILITY.....	2
1. Eligibility of Handlers.....	2
2. Eligibility of Dogs.....	
C. CONDUCT OF HANDLERS/OWNERS AND BEHAVIOUR OF DOGS.....	2
1. Handlers.....	2
2. Dogs.....	4
D. REGULATIONS.....	4
1. Introduction.....	4
2. Categories.....	4
3. Height Division & Measurement.....	5
4. Courses.....	5
- 4.1 General.....	5
- 4.2 Course design.....	6
- 4.3 Competition progress	
a) Determining the Standard Course Time (SCT).....	6
b) Trial progress.....	7
- 4.4 Obstacles.....	7
- 4.5 Judging.....	11
E. OFFICIALS.....	14
1. Trial Manager.....	14
2. Judges.....	14
3. Stewards.....	14
F. ENTRIES AND SCOREKEEPING.....	15
1. Closing of Entries.....	15
2. Running Order.....	15
3. Move-ups.....	15
4. Declining Entries.....	15
5. Prizes.....	15
6. Records of Qualifications.....	16
7. Scorekeeping Requirements.....	16
8. Cancellation of Awards.....	16
G. CLASSES, TITLES AND AWRADS.....	16
1. Classes.....	16
2. Titles.....	17
3. Annual Awards.....	18
H. OBSTACLES – DESIGN & MEASUREMENTS.....	Annex

A. APPLICATION

1. These Agility Rules (“**Rules**”) shall apply to all Agility and jumper trials (“**Trials**”) organized by the Singapore Kennel Club (“**SKC**”). These Rules shall be supplemented from time to time with further regulations, elaborations and details in the Trial Regulations. Trial Regulations will be made known to participants of Trials prior to such Trials.
2. The Dog Sports Committee (the “**Committee**”) may review and change the Rules from time to time.
3. The owner/Handler (“**Handler**”) entering a dog in a Trial does so at his/her own risk and agrees to abide by these Rules, the Trial Regulations and such other rules and regulations of the SKC. Handlers entering dogs in a Trial do so at their own risk and agree to assume responsibility for any damage caused by them, or by their dogs.
4. The Governing Council of the SKC (“**Governing Council**”) has approved these rules. In case of disputes on matters laid out in these rules, the Governing Council will have the final decision on the matter.
5. Wherever the word "dog" is used in these regulations it includes both sexes.

B. ELIGIBILITY

1. Eligibility of Handlers

- Only Handlers who are fully paid members of the SKC or its affiliated clubs can enter their dogs in the Trials on payment of the fees set by the SKC.
- Persons disqualified or suspended under any of the SKC or its affiliate club's rules and regulations or under the provisions of these Rules shall not be permitted to enter their dogs for the Trials until such time they are no longer disqualified or suspended.

2. Eligibility of Dogs

- Dogs entered for the Trials may be **pedigrees or non-pedigrees**.
- Only dogs **fifteen (15) months** of age or older are eligible to participate.
- Dogs ineligible to compete include dogs or handlers suffering from illness, injury or disability that affects the dogs or handlers performance in regards to their welfare.
- Bitches in heat are eligible for trialing in All SKC competitions.

The organising club has the right to refuse any entry.

C. CONDUCT OF HANDLERS/OWNERS AND BEHAVIOUR OF DOGS

1. Handlers

- **Registration:** Handlers/Owners must present themselves to the Trial Secretary upon arrival at the grounds or premises of the Trials for registration.
- **Attire:** While there is no prescribed dress code, any Handler who, in the opinion of the Trial Manager dresses in an indecent manner may be disqualified.
- **Third call:** Handlers should answer with their dogs by the Third Call made by the Trial Manager or Steward for the start of any Trial. The Trial Manager will disqualify handlers who do not answer by the third call with their dogs.

- **Compliance with instructions:** Handlers must wait for and adhere to the instructions or orders given by the Trial Manager, Judge or Steward.
- **Compliance with Regulations and Standards:** In accordance with the certification on the entry form, the Handler of each dog and the person signing each entry form must be familiar with the Rules applicable to the Class in which the dog is entered.
- **Withdrawals of dogs:** A dog may be withdrawn at any time before it commences its run by informing the Trial Manager or with the Judge's permission once they have entered the ring. It is at the Judge's discretion to decide if a dog is not physically able to continue the course and whether the immediate withdrawal of such a dog should be ordered.
- **Handling Aids:** Food and toys are not permitted in the course area and handlers are not permitted to use or have in their possession while running the course, whistles, stopwatches, leashes, fanny packs or other handling/training aids.
- **Restriction on assistance/coaching:** Handlers should not receive or ask for any assistance or be prompted or coached by persons outside the Trial Ring while performing any exercise. Any such assistance, prompting or coaching will result in disqualification of the Handler and dog.
- **Physical Abuse of dog:** The Judge may disqualify a Handler and the dog in the case of any physical abuse of a dog in a Trial Ring. The Trial Manager may also disqualify any Handler and the dog for the physical abuse of a dog on the day of the Trials, whether or not the act was committed in the Trial Ring.
- **Abusive commands:** Handlers should refrain from reprimanding or using abusive or intimidating commands in the Trial Ring. The Judge may penalize such acts.
- **Praise, touching, petting and carrying:** Praise is allowed at all times, including in the Trial Ring. Purposefully touching or petting the dog are not allowed when running the course, but are allowed before the Handler starts to run the course and after he/she completes running the course in the Trial Ring. After completion of the course, picking up and/or carrying the dog out of the Trial Ring is allowed and will not be penalized.
- **Sportsmanship and Decorum:** Handlers are to display good sportsmanship and decorum at all times during the course of any Trials and when they are within or around the premises or grounds where Trials are being held. Handlers or owners who:
 - (i) Use any indecent, threatening, abusive or insulting words; or
 - (ii) Behave in any indecent, threatening, abusive or insulting manner; or
 - (iii) Distribute or display any writing, sign or other visible representation which is indecent, threatening, abusive or insulting;
 - (iv) Wilfully interferes with another dog or handler, or who abuses their dog, is verbally or physically rough or harsh with their dog, or in any way displays conduct prejudicial to the sport of dogs and SKC or against a Trial Manager, Judge, Steward, any other person assisting in the conduct of the Trials, any SKC official or any other Handler/owner, whether during the course of any Trials or when they are within or around the premises or grounds where Trials are being held, shall be deemed not to have displayed good sportsmanship nor decorum. Disciplinary action may be taken against the offender by the Committee.
- **Discipline:** The Committee will investigate any report of non-compliance with these Rules on the grounds of the Trial. Any person whose conduct is in any manner prejudicial to the best interests of the sport will be dealt with promptly. This will be done after the offender has been notified of the specific charges and has been given an opportunity to be heard in his/her own
- **Suspension:** After the alleged offender has been given an opportunity to be heard, the Governing Council reserves the right to suspend any Handler from participating or entering a dog in Trials held on a maximum of 3 separate days if a Handler breaches any of these Rules or shows any conduct prejudicial to the sport. The Governing Council shall give the Handler

notice of an intention to invoke this right to suspend and the Handler shall have 14 days to send a written representation or ask to give an oral representation.

2. Dogs

- **Fouling:** A dog that relieves itself in any way at any time while in the Trial Ring for judging in any Class will be disqualified immediately.
- **Attack:** Any dog that attacks a person and/or dog or shows an obvious tendency to attack while in the Trial Ring will be disqualified from the Trials at the discretion of the Judge. Any dog that attacks a person or shows an obvious tendency to attack while in the grounds or premises for the Trial will be disqualified from the Trials at the discretion of the Trial Manager. The owner of any dog, which has been guilty on three occasions of attacking another dog, will be notified that the dog is no longer eligible to participate in Trials.
- **Misbehaviour:** Any display of fear or any uncontrolled behaviour such as continuous/excessive barking or running away from its handler at any time during a Trial may be penalized. The Judge and/or Trial Manager may excuse the dog from further competition in the Class.
- A dog which consistently **disobeys** its handler or whose behaviour is considered by the Judge to be **too unruly during judging**, may be ordered to be removed from the Trial Ring by the Judge. In considering the possibility of ordering any such removal, the Judge shall be guided by the principle that all handlers

D. REGULATIONS

1. Introduction

Agility is a dog competition open to all dogs.

The aim of agility is for dogs to negotiate different obstacles to assess and enhance their intelligence and agility.

It is an educational and sporting activity intended to improve the dog's integration into society.

The sport requires a good rapport between dog and handler, which will result in perfect understanding.

Competitors therefore must be familiar with elementary training and basic obedience.

2. Categories

Four categories exist:

Toy (T)	Jump height = 250mm for Single & Spread Hurdles , Wall & Tyre
Small (S)	Jump height = 350mm for Single & Spread Hurdles , Wall & Tyre
Medium (M)	Jump height = 450mm for Single & Spread Hurdles , Wall & Tyre
Large (L)	Jump height = 550mm for Single & Spread Hurdles , Wall & Tyre

3. Height Divisions & Measurement

- The following jump height divisions shall be used in all Trial classes:

Class Height (measured at withers):

Toy (T)	for dogs measuring below 350 mm
Small (S)	for dogs measuring 350 mm or greater but less than 430 mm
Medium (M)	for dogs measuring 430 mm or greater but less than 500mm
Large (L)	for dogs measuring 500mm or greater

- Prior to a dog competing in a trial, the height of the dog is to be measured by a Judge at the highest point of the withers. The height shall be recorded by SKC and signed by the Judge who measured the dog. A dog may be measured by up to three (3) different Judges.
- Handlers are responsible for entering the dog in the proper height division. If a measurement is necessary, it is the handler's responsibility to have their dog(s) measured prior to running.
- Handlers may opt to enter in a higher height division for all titling classes, but not in a division lower than their proper height division. If the dog's height at the withers exceeds the maximum allowed for the jump height which the dog has entered, the dog shall be moved up into the proper jump height if the dog was measured prior to their run.
- Dogs that run in a height division lower than their proper division will be eliminated. Judges reserve the right to measure any dog they believe might belong in a different division, and any dog whose entry in a given division might be questioned.
- Misrepresentation of a dog, including altering information on a jump height, is grounds for misconduct.
- Senior dogs above nine (9) years of age on the date of the Trial shall be entitled to enter the Trial in the height Class that is one Class lower than its current Class. Such dogs may be entered into its usual height Class should the Handler wish to do so.

4. Courses

A course is built **using as many types of obstacles as possible**; the way they are placed determines the degree of difficulty and speed. The dog must complete the course within a predetermined time and the obstacles must be negotiated in the correct order.

4.1 General

- The actual length of the course will be between **100 m** and **200 m** and, depending on the class, will require a dog to traverse **at least 15** obstacles but **no more than 22**, no less than 7 of them must be jumps. A standard competition set must contain at least **14** hurdles.
- The distance between two consecutive obstacles ranges from
 - **4 m to 7 m in category Toy /Small** and
 - **5 m to 7 m in categories Medium/Large.**
- The handler should be able to pass each obstacle on both sides.

4.2 Course design

- When building the course the judge must use, at his discretion, the obstacles approved by the SKC
- The design of the course is left to the judge’s imagination, but **the natural handling side** must change at least twice.
- Obstacles should generally stand alone. In **Agility 1 / Jumper 1**, the entrances should never be adjacent to one another, but entrances can be adjacent in **other** classes.
- **Contact obstacles** such as the A-Frame, Dog Walk, and Seesaw shall not be set up in sequence, or as the first or last obstacle on a course
- **Spread jumps** should not be used in **Agility 1 / Jumper 1**.
- **Weaving poles and the tyre** can be negotiated only once during a test.
- The **spread jump, tyre and long jump** must always be set up for a straight approach from the previous obstacle.
- The **first and the last obstacle** must be a hurdle, the first should be a single hurdle.
- The difference between 3 classes should be:
 - - the length of the course and its degree of difficulty
 - - the speed chosen to determine the SCT
- Before the start of a competition the judge will inspect the obstacles put at his disposal and when they meet the necessary standard, he will hand over his course design to the organising committee who will then set up the course.
- The judge will check the course and have the length measured precisely.
- Any objection by a Handler to the obstacle or layout of the course must be lodged with the Judge in the first instance. If an agreement cannot be achieved then the objection may be lodged with a Committee member. Any objections must be lodged prior to judging.
- A well-designed course will allow the dog to **go round easily and smoothly**.
- **The aim** is to get the correct balance between the control over the dog, avoiding faults on the obstacles and the speed with which the course is negotiated.
- It is advisable to frequently change the design of the course and position of the obstacles in order to avoid any automation in the dogs.

4.3 Competition progress

No practise is allowed on the course but competitors will be allowed to walk the course without their dogs before the trial begins. Before starting the competition the judge will brief the handlers, explaining to them the nature of the competition, standard course time, the way the trial will be judged and remind them of the rules.

a) Determining the Standard Course Time (SCT)

- The speed in meters per second chosen on the course will determine the SCT. The speed chosen will depend on the standard of the competition and the degree of difficulty of the course and the surface the dog has to run on.
- The SCT (in seconds) will be determined by dividing the length of the course by the chosen speed (in m/s) as shown in the below table :

	Class 1	Class 2	Class 3	Championship
Agility	1.8 – 2.2 m/s	2.3 – 2.8 m/s	2.9 – 3.5 m/s	> 3.5 m/s

Jumper	2.8 – 3.3 m/s	3.4 – 3.9 m/s	4.0 – 4.5 m/s	> 4.5 m/s
--------	---------------	---------------	---------------	-----------

Example: A course is **160 m** long and the chosen speed **4.0 m/s** The SCT will be **40 seconds (160 ÷ 4.0)**.

b) Trial progress

- Dogs may be brought to the start line on slip leads, choke chains, or other collars that are permitted on the Trial grounds. Pinch/prong and electrical collars (dummy or not) and special training collars are not allowed anywhere on the Trial grounds.
- The handler will go into the ring and place the dog (sit, down or stand) behind the start line. If the dog is still on the lead than the dog's lead and collar are taken off. For safety reasons dogs must never wear these while under trial.
- During the trial the handler is not allowed to have anything in his hands or any form of rewards in the handler's procession.
- The handler is allowed to position himself anywhere on the course. The handler will start his dog after the judge's signal. The time will start as soon as the dog crosses the start line.
- A variety of commands and signals are allowed during the test.
- All scheduled classes will be conducted with one round only. If an unusual circumstance occurs which, in the opinion of the Judge, disadvantages the dog, the Judge may allow the dog a re-run.
- Should part of an obstacle not be in place before a dog negotiates the obstacle, provided the dog properly negotiates that part of the obstacle which remains, no penalty will be imposed and a re-run will not be ordered.
- The handler must ensure that the dog traverses the obstacles in the correct order without touching the dog or the obstacles. The handler must not negotiate, go under or over, the obstacles.
- The test is finished and the time stopped when the dog crosses the finish line.
- The handler puts the dog back on the lead and leaves the ring.

4.4 Obstacles

The obstacles approved by the Singapore Kennel Club are:

Jumps

- Hurdles
- Viaduct or Wall
- Tyre (breakaway/solid)

Contacts

- See-Saw
- A-frame
- Dog Walk

Others

- Long Jump
- Tube Tunnel
- Weaving Poles
- Table

The Committee reserves the right to include or remove any obstacles from use at the Trials from time to time. Obstacles may under no circumstances be unsafe for the dogs and must comply with the following specifications and be in accordance with the enclosed drawings.

The colours of the contact zones may not be white, black or brown.

Hurdles:

a) Single

- Height: **T : 25 cm , S : 35 cm , M : 45 cm , L : 55 cm**
- Minimum width: **1.20 m**. - Maximum **1.50 m**.
- Hurdles can be set up with poles (**wood or safe synthetic materials - metal not allowed**), panels, gates, brushes, etc. The top pole or plank, however, must be easily displaced. **The**

poles have a diameter of 3 to 5 cm and should have contrasting colours in at least 3 segments.

- No part (pole holders or cups), removable or permanent, should be protruding from the upright or wing.

The inner upright of the wing must at least be 1 m high. The width of the wing must be minimum 40 cm and maximum 60 cm.

The start of the taper to the outside upright of the wing should be at least 75 cm high. The hurdle wings must not be connected or fixed to each other.

Dogs should not be able to go under or through any part of the wing.

b) Spread

- Two single jumps (as in item a), but with poles only) placed together to form a double spread jump. The poles are placed in ascending order with a difference in height of 15 to 25 cm.
- The highest pole - **which should be at least 10 cm wider than the first** - is placed at the back:

T : 25 cm, S : 35 cm , M : 45 cm , L : 55 cm

- The total depth must not exceed: **T : 20 cm, S : 30 cm, M : 40 cm, L : 50**
- No part (pole holders or cups), removable or permanent, should be protruding from the upright or wing.

c) Wall:

- Height: **T : 25 cm, S : 35 cm , M : 45 cm , L : 55 cm**
- Minimum width: **1.20 m** - maximum **1.50 m** and approximately 20 cm. thick **at the bottom and must be at least 10 cm thick at the top.**
- The panel can have 1 or 2 tunnel shaped openings. The wall should have displaceable units at the top.

The pillars must be at least 1 m high and must not be connected to the centre panel; width and depth of the pillar: minimum 20 cm - maximum 40 cm.

d) Table:

- 0,90 x 0,90 m minimum – 1,20 x 1,20 m maximum.
- Height: **T & S : 25 cm & M & L : 45 cm**
- The table must be stable with a non-slippery surface. An electronic timing device (audible signal after 5 seconds) **must** be built into **or placed on** the table surface except for an area,
- 10 cm. wide around the top edges of the table.

The corners of the table must not be dangerous to the dog. The supporting structure must not prevent the dog from going under the table - the side of the table must be of a contrasting colour to the surface of the table.

e) Dog Walk:

- Height: **1.20 m.** minimum – **1.30 m** maximum
- The planks should be a minimum of **3.60 m.** and a maximum of **3.80 m.** in length and **30 cm.** in width.
- **The surface of the obstacle must be non-slip.** Each ramp should have anti-slip slats at regular intervals (about every 25 cm.) to avoid slipping and making the climb easier, but not within 10 cm. of the start of a contact area. These slats must be 20 mm. wide and 5 to 10 mm. thick and must not have sharp edges.

- The last **90 cm.** from the bottom of each ramp should have a different colour (on the sides as well) to indicate the contact area. **Electronic contacts may be used.**

The legs of the dog walk should not exceed the top of the obstacle. The legs and other supporting structures of the dog walk should not prevent the tunnel from being placed safely under the dog walk.

f) See-saw:

- The length of the plank should be a minimum of **3.60 m** and a maximum of **3.80 m** and **30 cm** in width.
- The height of the central bracket **should be 60 cm measured from the ground to the top of the plank.**
- Contact areas: same as the dog walk. **Electronic contacts may be used.**
- The obstacle must be stable and the **surface** must be non-slip. However, anti-slip slats are not allowed. The see-saw must be properly balanced (must not tip too fast or too slow) and allow the small dogs to tip it without problems.

Check: The see-saw must tip between 2 and 3 seconds when a weight of 1 kilo is placed **in the centre of the down contact area of the obstacle.** If this is not the case then adjustments must be made. **The pivot point of the see saw should not be more than 10 cm from the top of the plank.**

g) A-frame:

- Two ramps A-shaped.
- Width: **90 cm.** minimum, which may be increased at the bottom to **1.15 m.**
- The apex must be **1.70 m.** from the ground for all dogs. The length of the ramps should be between **2.65 and 2.75 m.**
- **The surface of the obstacle must be non-slip.** Each ramp should have anti-slip slats at regular intervals (about every 25 cm.) to avoid slipping and making the climb easier, but not within **10 cm** of the start of a contact area. These slats should be **20 mm.** wide and **5 to 10 mm** thick and must not have sharp edges.
- The last **1.06 m.** from the bottom of each ramp should have a different colour (on the sides as well) to indicate the contact area.
- The top of the A-frame may not present any danger to the dogs and must be covered if necessary.

The supporting structures of the A-frame should not prevent the tunnel from being placed safely under the A-frame.

h) Weaving:

- Number of poles: **12 Poles:** The poles are rigid and have a diameter of **3 to 5 cm.**
- The height of the poles is **1 to 1.20 m** and they are placed **60 cm** apart (**measured between poles**).

The poles must not be made of metal (wood or safe synthetic materials are recommended). The frame should be no thicker than 8 mm and no wider than 8 cm. The legs of the frame should not be in the way of the dog during the normal sequence when it is weaving.

i) Tube tunnel:

- Diameter: **60 cm** - Length: **3 to 6 m.**
- Flexible so that one or more bends can be formed.

j) Tyre:

- Aperture diameter: **45 cm. to 60 cm.**
- Aperture centre from the ground: T & S : 45cm , L & M : 65 cm.
- The tyre must be adjustable in height (chains or rope), fixed or rigid attachments are not allowed.
- The bottom half of the tyre must be **closed or** filled for safety reasons. **The width of the tyre: minimum 8 cm – maximum 18 cm.**
- **A breakaway tyre may also be used.**
- The base of this obstacle should be approximately 1.5 x the height measured from the floor to the top edge of the tyre, in category Large.

The width of the frame should not exceed 1.50 m. The distance between the inside of the upright and the outside edge of the tyre must be a minimum of 15 cm.

Light material is not allowed, the obstacle should be sturdy and stable.

k) Long jump:

- One to five units comprise a long jump. The overall length is:

T : 20 cm (1 unit)

S : 40 cm (2 units)

M: 80 cm (3 to 4 units)

L : 100 cm. (4 to 5 units)

- Width of the jump: **1.20 m.**
- The units are placed in ascending order. The lowest unit at the front: the height: 15 cm. Height of the highest unit: 28 cm. Depth of each unit: 15 cm, rising in height. Corner poles, with a minimum height of about 1.20 m should be placed at all four corners (not fixed to any of the units). The top of these poles should be covered to protect dog and handler if necessary.

The marker poles are not considered part of the obstacle, they are only a judging aid.

l) Start–Finish:

- The start and finish line should be placed within **1 m.** of the first and the last hurdle. The distance between the marker poles should be the length of the hurdle poles plus 50 cm. left and right.
- If a dog runs by the first obstacle then it will be faulted with a refusal and the manual time will start as the dog passes the start line.
- There should be enough room (at least 6 m.) for the dog at the start and at the finish.

4.5 Judging

No competitor shall impugn the decision of the judge whose decisions are final.

a) General

The aim is to let the dog negotiate the course correctly and within the SCT with clear run.

b) Faults

- Faults applied are:
 - Faults incurred for failure to negotiate the course correctly
 - Faults incurred for failure to complete the course within the SCT
- Exceeding the SCT: a **single fault** per second.
- General:
 - The handler must not pass between the poles that mark the start and/or the finish or he will be faulted (**5 faults**), also the time will start as the handler crosses the start line.
 - A handler who gains an advantage by touching his dog or an obstacle will be faulted - **5 faults** each time it occurs.
 - A handler who deliberately touches an obstacle will be faulted - **5 faults** each time it occurs.

c) Faults on the course:

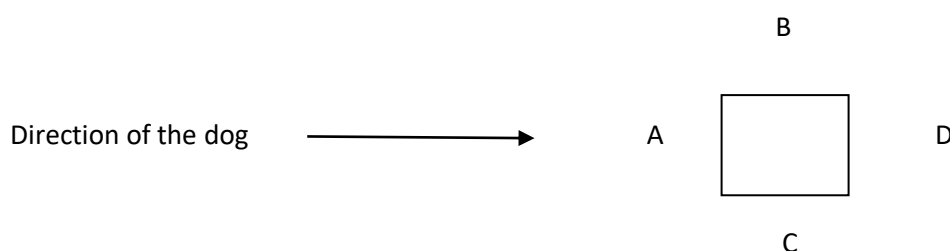
All course faults are in units of five (**5 faults**)

- Knockdowns:
 - It is a fault each time any part of any obstacle is knocked down.
- Refusals:
 - Will be faulted with a refusal: a dog that stops in front of an obstacle or a dog that stops on the course. A dog that runs out or runs by an obstacle, jumps between the tyre and the frame or walks through the long jump. A dog that puts its head or a paw in a tunnel and comes back out again.
- Contact area:
 - On the A-frame, dog walk and see-saw the dog must **touch the up as well as the down contact** with at least one paw or part of its paw. Failure to do so: 5 faults each time it occurs.
- Refusals must be corrected, failure to do so will result in **elimination**.
- The same applies to the weaving poles, where each mistake must be corrected.
- Other faults:
 - knockdowns or missing a contact point: the dog will be penalised but it continues its run.

d) Marking and Faults on specific obstacles:

1. Table

- There will be a 5 second wait on the table with the dog in any position, which may be changed during the wait. The count will start as soon as the dog is on the table.
- If the dog leaves the table before the count is finished and the signal from the judge, it will be penalised with a fault (5 faults) and will have to get back on the table where the count is restarted. Failure to do so will result in **elimination** on the next obstacle
- The dog can get on to the table from three sides: A, B and C. If the dog passes the table and jumps on from side D, it will be penalised with a refusal (5 faults) but will not be eliminated for taking an obstacle from the wrong side.



It is a fault if the dog slips off the table (5 faults) and it will have to get back on the table from any side) where the count is restarted. A dog that runs under the table will be penalised with a refusal (5 faults). A handler who starts the electronic countdown will be **eliminated**.

2. Dog walk

- The dog that alights from the obstacle before touching the descending ramp with four paws will be penalised with a refusal (5 faults)

3. See-saw

- The dog that jumps off the obstacle before passing the pivot point will be penalised with a refusal (5 faults).
- The see-saw must touch the ground before the dogs alights from the obstacle, otherwise it will incur 5 faults.

4. A-frame

- The dog that alights from the obstacle before touching the descending ramp with four paws will be penalised with a refusal (5 faults).

5. Weaving poles

- The first pole must be on the left of the dog, the second on the right and so on.
- Each incorrect entry will be penalised with a refusal (5 faults). For further errors a dog should only be penalised once, with a fault (5 faults). Back weaving (more than 2 gates) will result in **elimination**.
- The obstacle must be completed correctly before negotiating the next obstacle, failure to do so will result in **elimination** on the next obstacle.

6. Long jump

- The units of the obstacle are evenly spaced and in ascending order to make a jump that is 0,40 to 1,50 m. long.
 - **T : 20 cm (1 unit), S : 40 cm (2 units), M: 80 cm (3 to 4 units), L : 100 cm. (4 to 5 units)**
 - Walking through, running past, jumping in from or out to the side and not traversing the complete obstacle will be penalised with a refusal (5 faults).
 - Banking or knocking down one of the units, as well as a foot or feet landing between the units will be penalised with a fault (5 faults). Casual contact will not be faulted.
 - The dog or handler will not be faulted when they touch or knock down one of the marker poles of the long jump, even when this causes one of the units to fall down.
7. Spread jump
- Judged in the same way as the single hurdles
8. Breakaway tyre
- If the tyre breaks away and the dog refuses: **elimination**
 - If the tyre breaks away when the dog goes through it: 5 faults

e) Elimination

- Unseemly behaviour towards the judge
- Harsh handling of the dog
- Three refusals
- Taking obstacles out of sequence
- Forgetting to take an obstacle
- Taking an obstacle in the wrong direction
- Dog or handler disturbs an obstacle in such a way that it can no longer be negotiated correctly
- Handler negotiates an obstacle himself, jumps or passes under the obstacle.
- Handler starts the electronic countdown on the table if a table with electronic timing is used
- Handler holds something in his hand
- Replacing the dog at the start after it has crossed the start line (unless instructed by the judge)
- Dog wearing a collar
- Stopping on the course because the handler retires (unless instructed by the judge)
- Dog fouls or leaves the ring or is no longer under control
- Dog stops negotiating the course or wondering in the ring
- Dog snapping constantly at the handler
- Training on the trial equipment or ground during trial
- Contact between the Handler and the dog that aids the performance of the dog.
- Interference or outside assistance that aids or is intended to aid the performance of a singular dog or Handler.
- A Handler that does not answer by the Third Call.
- **Starting the run before the judge's start signal**

Elimination means that the dog is disqualified and handler and dog must leave the ring as quickly as possible, unless the judge decides otherwise. Elimination must be indicated clearly (whistle, etc.) by the judge. The judge will deal with all unexpected circumstances and must be consistent at all times.

5. Force majeure

- Under circumstances beyond the handler's control - poles blown down, twisted cloth of the flat tunnel – the judge can stop the handler and when the obstacle has been rebuilt, the judge will restart the dog from the beginning.

- All faults incurred before the dog was stopped will still apply. Up to that point no other faults will be given, however, the handler still has to negotiate the course to the best of his ability; i.e. must make a good attempt. Additional faults will be incurred only after the point at which the dog was originally stopped.

E. OFFICIALS

1. Trial Manager

- **Appointment:** The Committee shall appoint one or more Trial Managers for each Trial. The Trial Manager shall have overall responsibility for the control and smooth running of each Trial that he/she officiates over.
- **Interpretation of Rules:** The Trial Manager's decision in relation to the interpretation of these Rules shall be binding on all persons involved in the Trials including Judges, handlers and owners.
- **Powers to disqualify:** Except for Rules that specify that mandatory disqualification shall result from a breach or specify other types of consequences, the Trial Manager may, with agreement from the Judge, decide whether to disqualify a Handler and dog on the day of the Trials for a breach of any of the Rules.
- **Matters not covered by Rules:** The Trial Manager may decide on any matter that is not specifically covered under these Rules. His decision on such matters shall be final.
- **Reserve Judge:** If the appointed Judge for a Trial cannot be present for all or part of the day of the Trial due to unforeseen circumstances, the Trial Manager may select a Reserve Judge or Reserve Judges to conduct the Trials. Such Reserve Judge(s) shall be properly accredited Judges with the SKC. They will have the same powers as Judges appointed and be under the same restrictions.

2. Judges

- **Appointment:** The Committee, with the concurrence of the Governing Council, shall appoint the Judge(s) for all the Trials. The Governing Council must approve Judges officiating at trials.
- **Presence of Judge:** The Judge must always be present when a dog is in the Trial Ring being judged at a Trial.
- **Power to disqualify:** The Judge shall have the power to disqualify handlers or dogs in the circumstances as set out in these Rules.
- **Re-judging:** If a dog's performance in the Trial Ring was prejudiced by unusual or extraordinary conditions, the Judge may, at his own discretion, re-judge the dog.
- **Judge's Responsibilities:** The Judge is responsible for : (i) making Trials meaningful and reasonably challenging, and for judging in accordance with these regulations; (ii) inspecting the course area and checking the equipment before starting the Trial.

3. Stewards

- Stewards shall not be used to fulfil the Judge's duties but may assist in the following positions. Stewards must not advise the Judge of faults in the course unless instructed to do so by the Judge.
- **Time Keeper:** To time each dog as it runs the course from start to finish. The Time Keeper should be positioned where the start and/ or finish lines are visible so that the reference point is the same for each dog. Time Keepers will be appointed and the faster of the 2 times recorded will be the final result.

- **Scribes:** A scribe is required to record the scores as instructed by the Judge. The Judge is responsible for the accuracy of the scores insofar as knowing which dogs qualify and which dogs do not qualify.
- **Collecting Ring Steward:** To line up the competitors in catalogue order, to ensure the ring is run as efficiently as possible. The collecting ring steward will be required to have the next competitor ready to walk into the ring by the time the previous competitor is finished and walking out.
- **Ring Steward:** To perform general maintenance duties in the ring i.e. helping the Judge to set the course, checking equipment between dogs, replacing knocked bars etc. At the Judge's request, Ring Stewards should also be available for watching the contact areas on the Dog Walk, and/ or A-Frame.

Stewards, time keepers and scribes may compete in the Trial if it does not conflict with the completion of their assignments. A person may not time or scribe in a jump height Class in which they are directly competing.

F. ENTRIES AND SCOREKEEPING

1. Closing of Entries: The final closing date shall not be less than three (3) days prior to the Trial to allow proper notification of Handlers.

2. Running Order: Dogs may be run in such order as set by the Committee. Such order may be changed on the day of the Trial at the discretion of the Committee.

3. Move-ups

- Dogs shall be moved up to a higher Class as a result of qualifying for a SKC Title, regardless of entries for Trial having closed. It is the responsibility of the handler to request for the dog to be moved up after attaining the title.
- All move-up entries are subject to availability of the Class and payment of any difference in entry fee.
- When a dog is moved up after the participant list has been printed, it is only necessary to indicate the dog's running order number in the Class where the dog has moved to.

Note: all base information (i.e., registered name, SKC number, etc.) need only be listed in the Class the dog was originally entered in. The dog's score should be recorded and scored in the Class that it has moved to.

4. Declining Entries: The Committee reserves the right to refuse entries or registration and impose handler and or dog bans for breaking rules.

5. Prizes

- The three highest qualifying scores (Time shall be measured and recorded to the nearest 1/100th of a second) shall be awarded first through third placements per class regardless of the number of dogs entered or judged in a particular Class, save that where a Class has less than 3 dogs, then only the 1st and 2nd prize will be awarded, or where a Class has only 1 dog, then only the 1st prize will be awarded.
- 1st, 2nd and 3rd prizes will be awarded and a Clear Run ribbon or certification card will be awarded to each successful clean run for all classes.
- In case of a tie in both the score and time, a run-off will be held on the course of record or a course of lower skill level. The winner of the run-off based on score then time shall be awarded the higher placement.

- If all timing devices fail, the Handler should be given the option of a re-run (providing the dog would have had a clear round except for timing failure). The re-run totally supersedes the original run and no aspect of the original run is to be retained.

6. Records of Qualifications

- Records of dog's height and qualifying runs are to be kept in each dog's SKC Dog Sports Trialler's Booklet, as well as in the SKC official records.
- Records must contain name of the class (Agility or Jumpers, and skill level), date and location of the Trial, handler's name, Qualifying score (0 for faults and timing) and placing. Dog's SKC Dog Sports Trialler's Booklet must also include Judge's signature. SKC records must also include the dog's details (full name, height class).

7. Scorekeeping Requirements

- The following information shall be recorded:
 - At the beginning of each class the course length and standard course time for each jump height shall be recorded.
 - Record next to each dog listed Qualified or "Q", Not Qualified or "NQ", "Absent", Eliminated or "E", or "Withdrawn".
 - If "Qualified", the dog's score and actual running time (to the 100th of a second) shall also be recorded..
 - If "NQ", "Absent", "E" or "Withdrawn". Scores should be posted for exhibitors at the Trial site with dog's actual running times to the 100th of a second (even for "NQ"s).
 - The following information will be made available for each height class: the course length and Standard Course Time and for each participant their score (if qualifying or non-qualifying), actual running time and placement (if first through third).

8. Cancellation of Awards

- If an ineligible dog has been entered and run in a Trial, or if the dog is run in a class in which it is not entered or not eligible for, or if its entry form is deemed invalid by the Singapore Kennel Club under the Rules and Regulations, all resulting awards shall be cancelled by the SKC.
- If an award is cancelled by SKC, the entrant of the dog shall return all prizes to SKC within ten (10) days of receipt of notice from SKC of said cancellation.

G. CLASSES AND TITLES

1. Classes

- The Committee may nominate Jumpers only, Agility only or any combination of the above that they wish to conduct provided that it is clearly stated on the Trial Regulations.
- For each Jumpers or Agility Trial, there shall only be one of each Class only.
- **Permitted Classes & Eligibility** - classes and each qualifications up to and including the date of closing of entry are set out as follow :

Agility

Agility 1 Class	Open to all dogs that have not attained AD 1 title
Agility 2 Class	Open to all dogs that have attained AD 1 title
Agility 3 Class	Open to all dogs that have AD 2 or AD 3 title
Open Agility Class	Open to all dogs

Jumpers

Jumpers 1 Class	Open to all dogs that have not attained JD 1 title
Jumpers 2 Class	Open to all dogs that have attained JD 1 title
Jumpers 3 Class	Open to all dogs that have attained JD 2 or JD 3 title
Open Jumper Class	Open to all dogs

2. Titles

- Credit toward SKC Agility or Jumpers titles is earned only by qualifying in official SKC Trials. The titles earned at SKC Agility and Jumpers Trials are:

Agility	Jumpers
Agility Dog 1 (AD 1)	Jumpers Dog 1 (JD 1)
Agility Dog 2 (AD 2)	Jumpers Dog 2 (JD 2)
Agility Dog 3 (AD 3)	Jumpers Dog 3 (JD 3)
National Agility Champion (NACH)	National Jumpers Champion (NJCH)

- SKC will identify dogs qualifying for titles by the appropriate title designations following their registered names in all official SKC records. In each case, the higher Agility or Jumpers title will supersede the preceding Agility or Jumpers title in all official SKC records such that the highest Agility and the highest Jumpers title will be listed.
- The SKC will identify a dog that achieves the National Agility Champion title (NACH) and/or the National Jumpers Champion title (NJCH) by the appropriate designation (NACH and/or NJCH) preceding their registered name in all official SKC records. The Champion designation will supersede all other titles.
- In order to acquire a title, a dog must earn the following number of qualifying certificates per Class level under **at least two different Judges**.

<u>Agility Class</u>	<u>Qualifying Certificates Required</u>	<u>Jumpers Class</u>	<u>Qualifying Certificates Required</u>
AD 1	3 Clear Rounds in Agility 1	JD 1	3 Clear Rounds in Jumpers 1
AD 2	4 Clear Rounds in Agility 2	JD 2	4 Clear Rounds in Jumpers 2
AD 3	5 Clear Rounds in Agility 3	JD 3	5 Clear Rounds in Jumpers 3
NACH	3 X 1 st Placing in Agility 3 + 3 X 1 st Placing in Open Agility	NJCH	3 X 1 st Placing in Jumpers 3 + 3 X 1 st Placing in Open Jumpers

3. Annual Awards

Dog Of The Year

- Points will be awarded towards the **Agility/Jumper** and **Reserve Agility/Jumper Dogs of The Year**, regardless of the number of dog entries.
- Points are awarded to dogs that are competing in the **Open classes** only.
- Dogs competing in the other 3 Classes will not be eligible for points.
- The quantum of points to be awarded for the different placing are tabulated as follow :

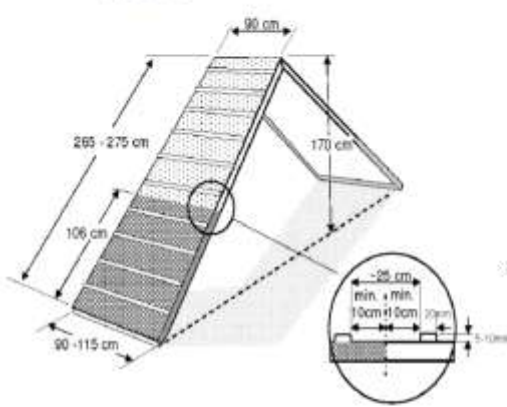
Class / Placing	1st Placing	2nd Placing	3rd Placing	Participation
Open Class	70	50	30	10

- In the event of a tie on points after the final Trial of the year, the winner will be determined by (in order of priority as listed) as follows:
 - Dog with the higher number of runs taken part during the year;
 - Dog with the most Qualifying/Clear rounds during the year;
 - The dog with the better time (to the nearest 1/100th of a second) under Standard Course Time (SCT) of its best run in the year.

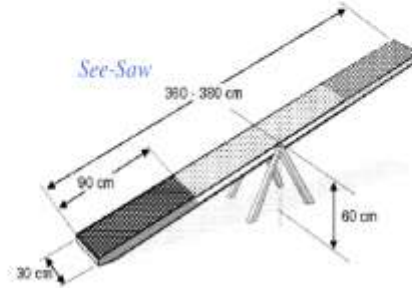
ANNEX

AGILITY OBSTACLES
Regulations of the Fédération Cynologique Internationale

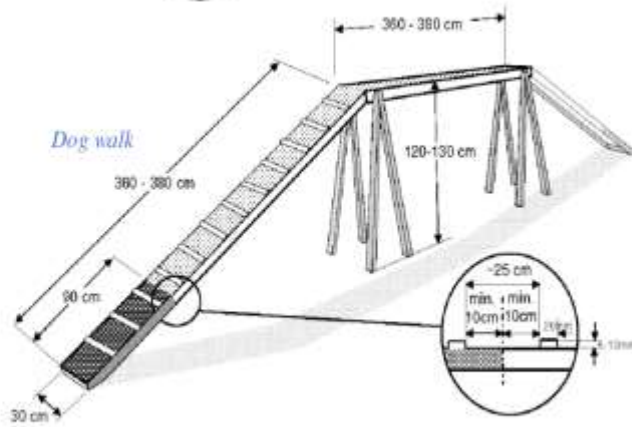
Contact:
 A-Frame



See-Saw



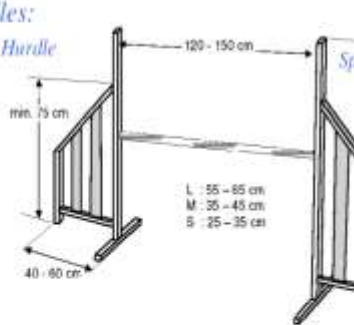
Dog walk



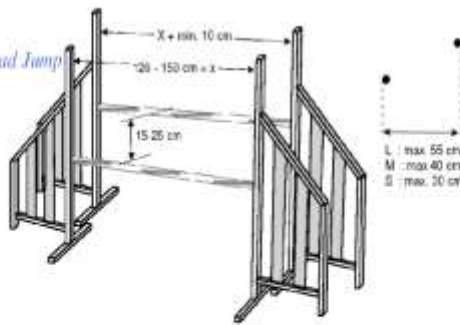
Jumps:

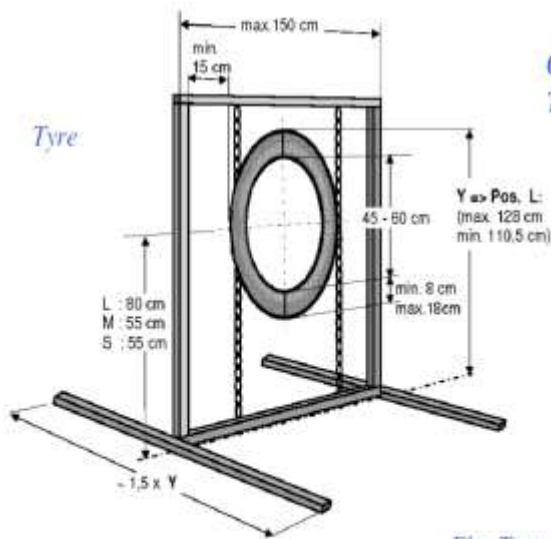
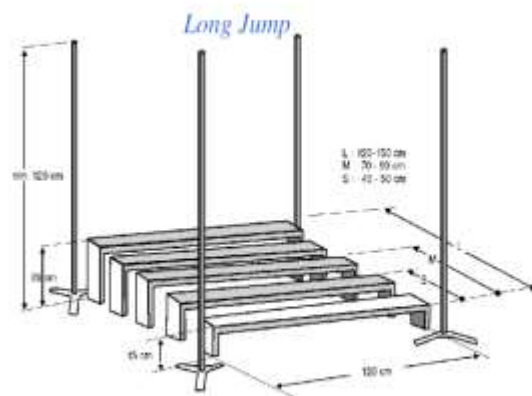
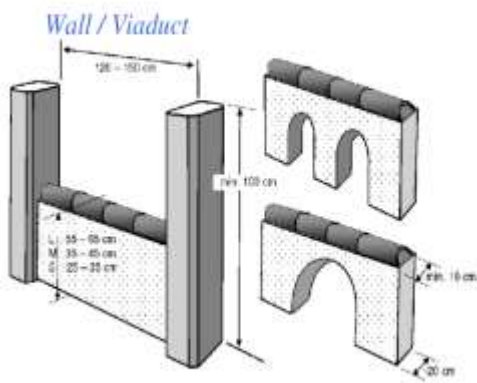
Hurdles:

Single Hurdle



Spread Jump





Other Obstacles:
Table

